

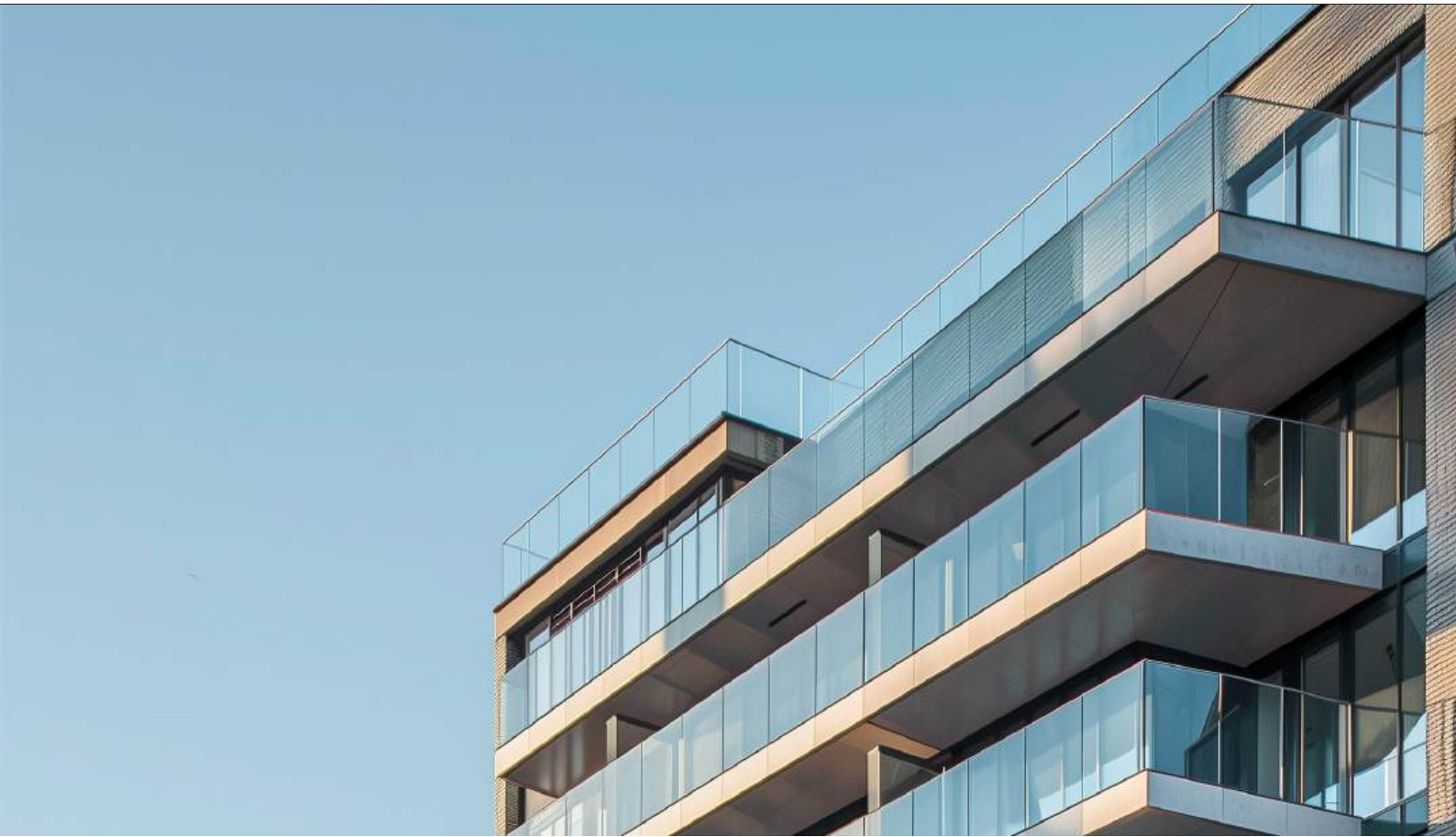


Glass Railing

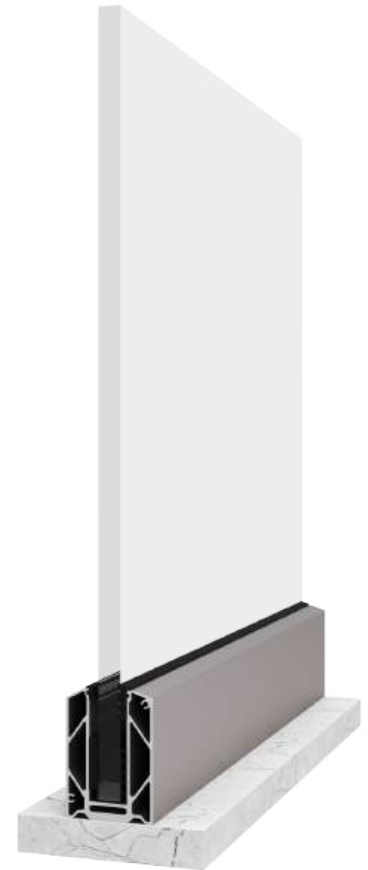


Code	Glass Thickness (mm)	Installation Type	Continous / Modular	Page
R6000	8+8, 10+10	On-Floor	Continous	5
R6050	5+5, 6+6	On-Floor	Continous	6
R6150	8+8, 10+10	On-Floor	Continous	7
R6200	8+8, 10+10	On-Floor	Continous	8
R1001	8+8, 10+10	On-Floor	Modular	11
R1100	8+8, 10+10	On-Floor	Modular	12
R1050	4+4, 5+5, 6+6	On-Floor	Modular	13
R1101	8+8, 10+10	Side Mounted	Modular	14
R1150	8+8, 10+10	Side Mounted	Modular	15
R1200	4+4, 5+5, 6+6	Side Mounted	Modular	16
R1300	8+8, 10+10	Side Mounted	Modular	17
R1002	8+8, 10+10	In-Floor	Modular	18
Profiles				19-22





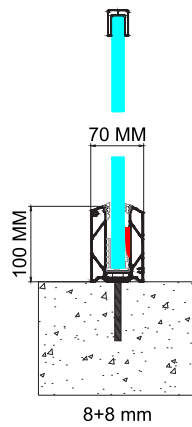
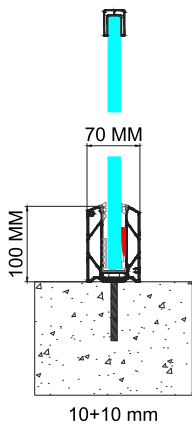
- Suitable for Anodized and Painted Usage
- Applicable in Indoor and Outdoor Spaces.
- Easy and Quick Installation
- Resistant to Corrosion



R6000-A

R6000-B

Finishing Parts |



N20 | N16



NS1620



PY20 | PY16

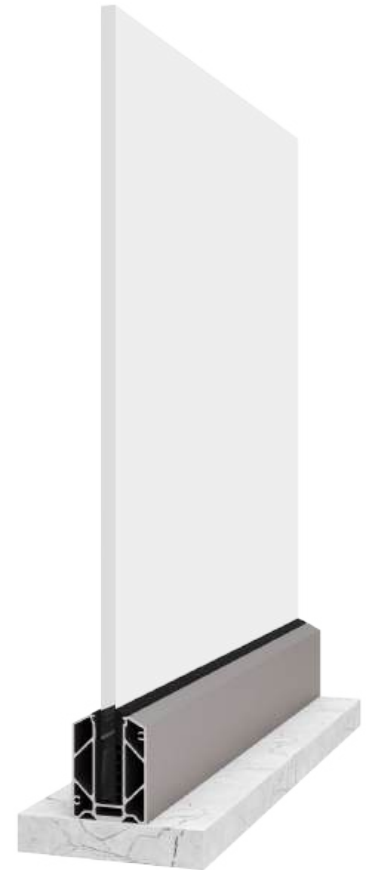


PS20 | PS16

See Clearly, Live Securely: Our Glass Railings Define Safety

R6000 series is the most preferred continuous glass base system due to its modern design and ease of installation. This series is commonly used on terraces, entertainment venues, and high-rise buildings.

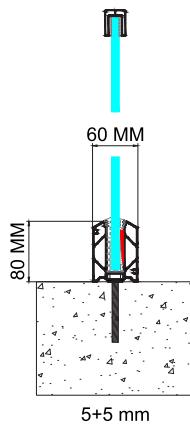
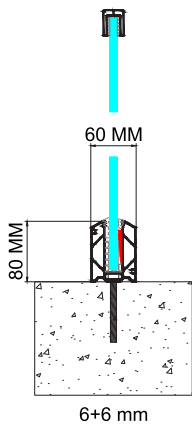
- Basic Dimensions 70x100 mm
- Linear weight 4.39 kg/m
- 10+10 mm, 8+8 mm glass
- Glass depth 86 mm
- Maximum height 110 cm (from floor level and without handrail)



R6050-C

R6050-D

Finishing Parts |



N1220 | N10



NS12 | NS10



PY12 | PY10

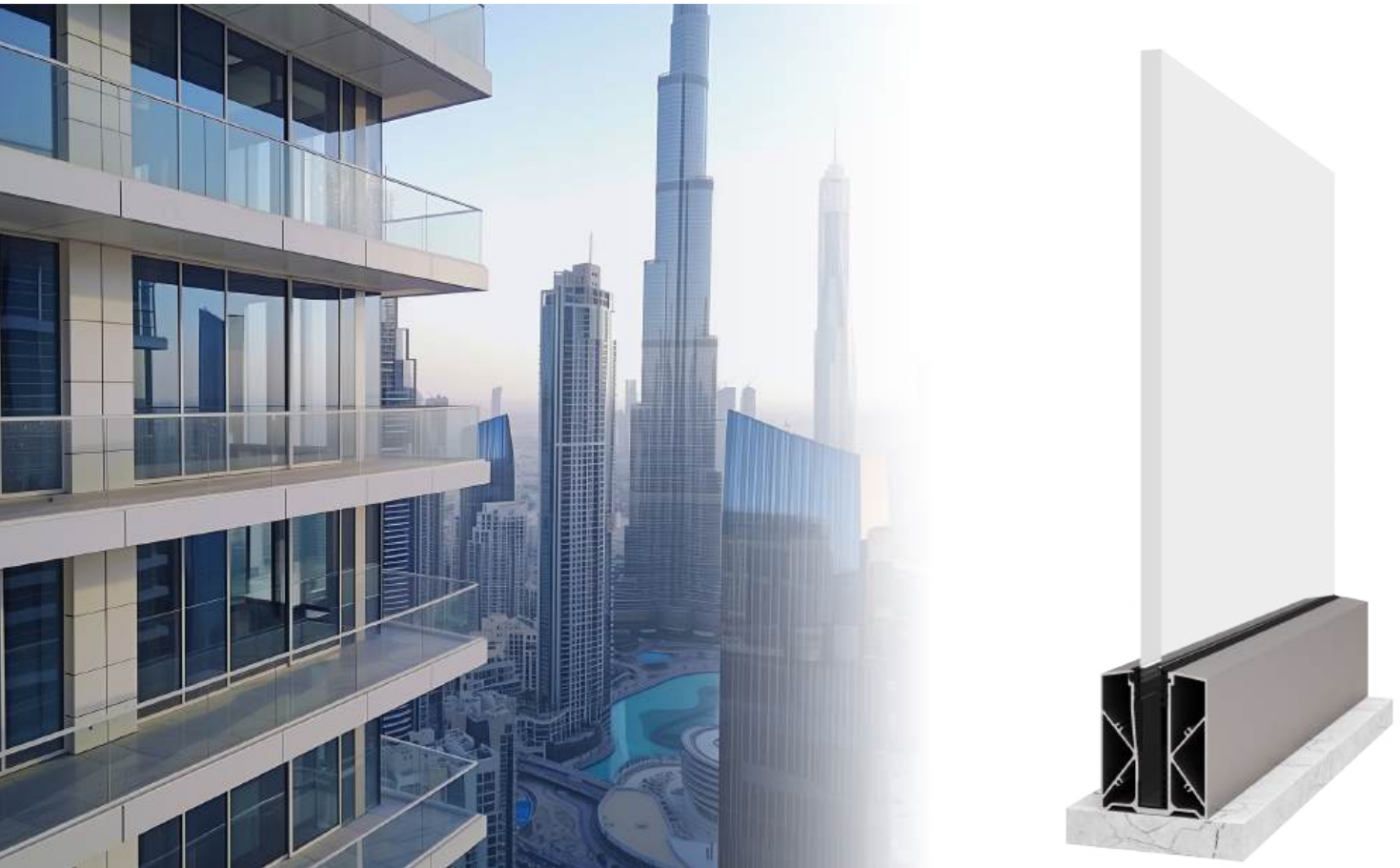


PS12 | PS10

Elevate Your Views, Secure Your Space

R6050 series is ideal for terraces and villas because of its durable and aesthetic design.

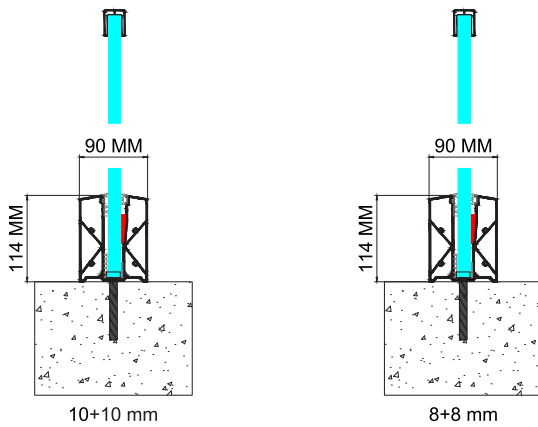
- Basic dimensions 60x80 mm
- Linear weight 3.03 kg/m
- 6+6 mm , 5+5 mm glass
- Glass depth 67 mm
- Maximum height 110 mm (from floor level and without handrail)



R6150-A

R6150-B

Finishing Parts |



M16



MS16



PYA16

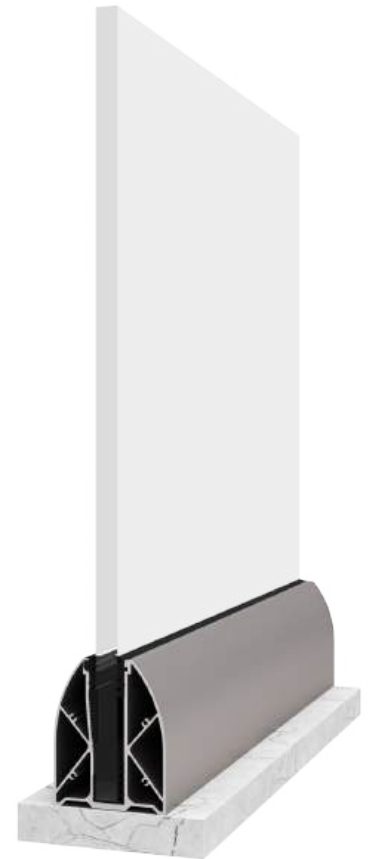


PS16

Seamless Safety, Effortless Installation

R6150 series is generally applied in terraces, entertainment venues and high-rise buildings. Thanks to its ease of installation and modern and durable design.

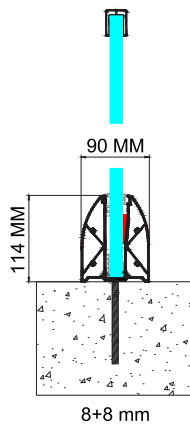
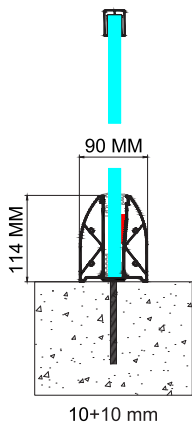
- Basic dimensions 90x114 mm
- Linear weight 4.66 kg/m
- 10+10, 8+8 mm glass
- Glass Depth 109 mm
- Maximum height 110 mm (from floor level and without handrail)



R6200-A

R6200-B

Finishing Parts |



M16



MS16



PYA16



PS16

Where Design Meets Protection

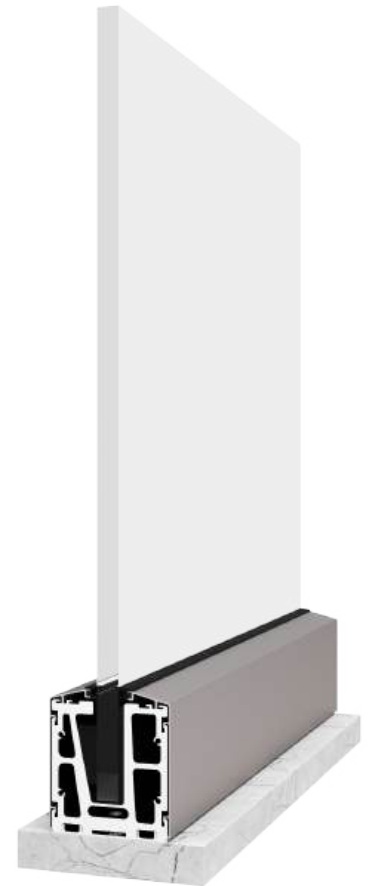
R6200 series offers an aesthetic appearance with its oval design. Alongside its ease of installation, its durable structure makes it suitable for use in terraces, entertainment venues, and high-rise buildings.

- Basic dimensions 90x114 mm
- Linear weight 4.44 kg/m
- 10+10, 8+8 mm glass
- Glass depth 109 mm
- Maximum height 110 mm (from floor level and without handrail)





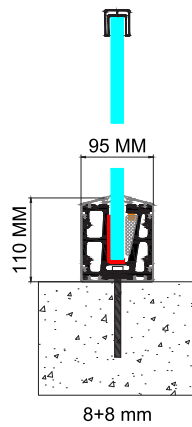
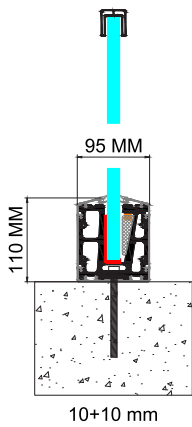
- Suitable for Anodized and Painted Usage
- Applicable in Indoor and Outdoor Spaces.
- Easy and Quick Installation
- Resistant to Corrosion
- Provides Advantageous Use in Flexible Quantities
- Most Effective Solution for Curved Applications



R1001-A

R1001-B

Finishing Parts |



1003-A | 1003



1004



C001-A

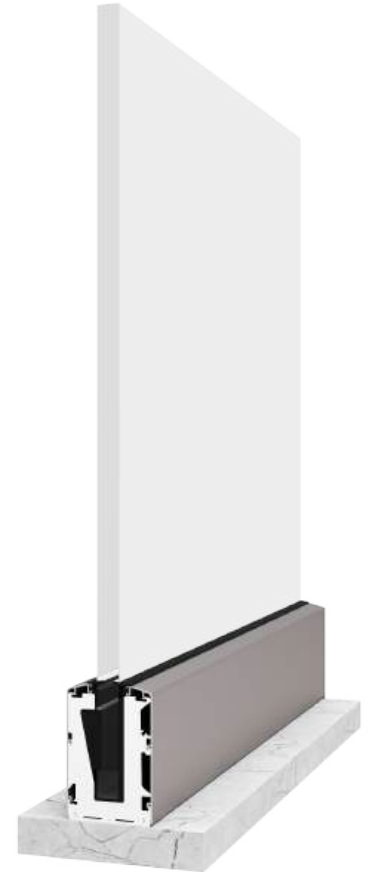


1006

Where Form Meets Function: Curved Glass Railings for Modern Living

R1001 series is a modular system that offers architects the flexibility to design freely. It can be used as a solution in high-rise buildings, shopping mall galleries, and curved balcony applications.

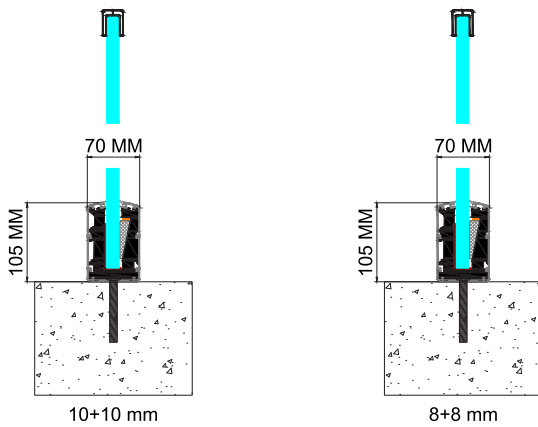
- Basic Dimensions 92x100 mm (without cover)
- Base shoe length 140 mm, 280 mm
- 10+10 mm, 8+8 mm glass
- Glass depth 76 mm
- The alignment profile can be used as an alternative.
- Maximum height 110 cm (from floor level and without handrail)



R1100-A

R1100-B

Finishing Parts |



1003-A | 1003



1103



C001-C

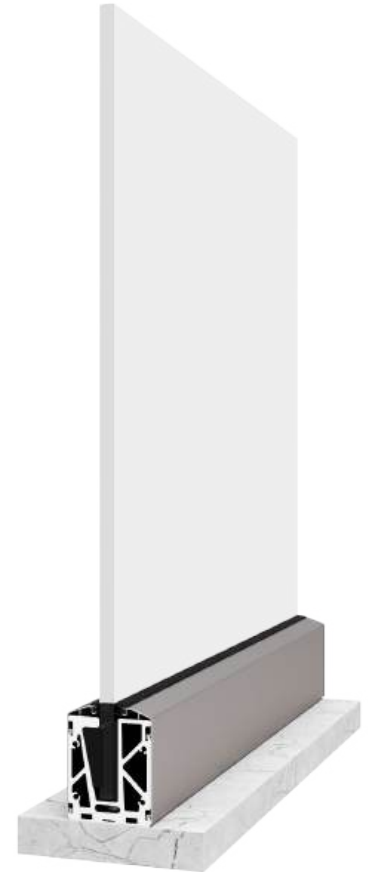


1104

A Clear Choice for Safety and Style

R1100 series is developed to provide high security. This series is used as a solution in balconies, terraces, and most outdoor applications.

- Basic Dimensions 66x95 mm (without cover)
- Base shoe length 140 mm, 280 mm
- 10+10 mm, 8+8 mm glass
- Glass depth 80 mm
- The alignment profile can be used as an alternative.
- Maximum height 110 cm (from floor level and without handrail)

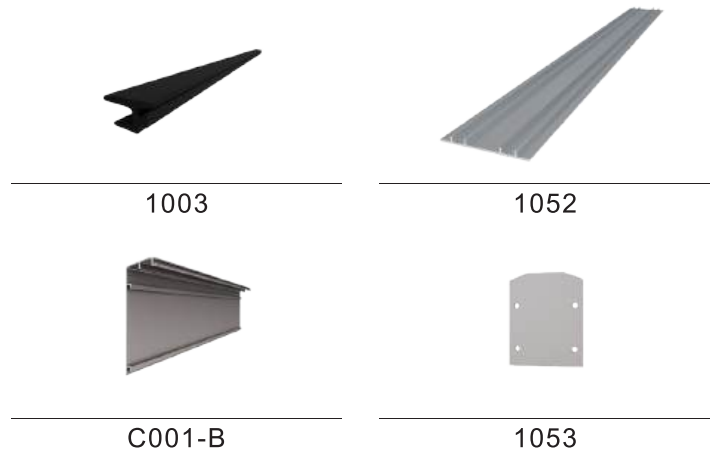
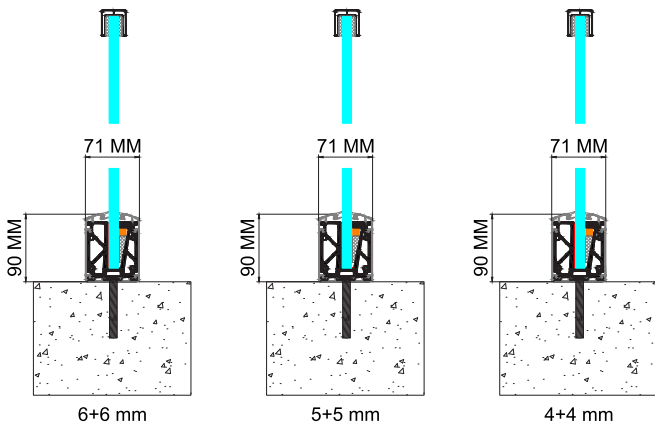


R1050-C

R1050-D

R1050-E

Finishing Parts |



Elegance Engineered for Security

R1050 series is robust, competitive, and durable due to its smart design. This series is most preferred in villas, balconies, and terraces.

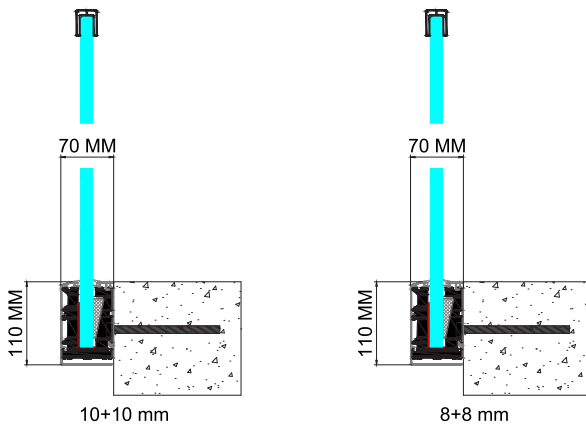
- Basic Dimensions 66x78 mm (without cover)
- Base shoe length 140 mm, 280 mm
- 6+6 mm, 5+5 mm, 4+4 mm glass
- Glass depth 63 mm
- The alignment profile can be used as an alternative.
- Maximum height 110 cm (from floor level and without handrail)



R1101-A

R1101-B

Finishing Parts |



1003-A | 1003



C003-E



C003-D

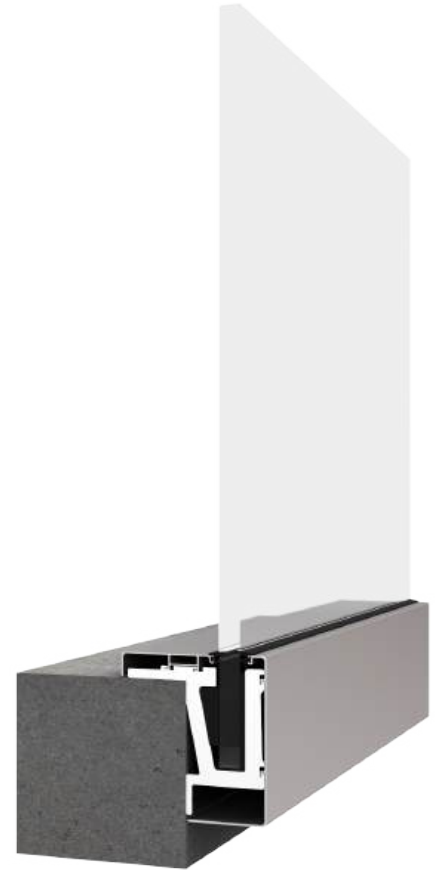


1104

Clear Vision, Solid Support

R1101 series, with its modular structure, provides architects with design freedom. It is used as a solution in high-rise buildings, shopping mall galleries, and curved balcony applications.

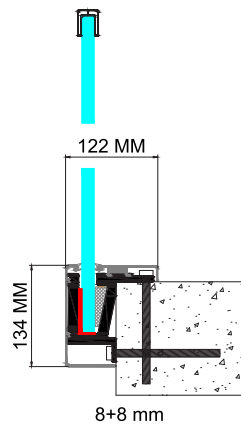
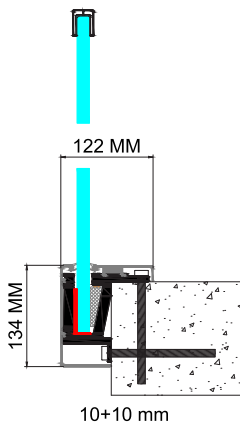
- Basic Dimensions 66x95 mm (without cover)
- Base shoe length 140 mm, 280 mm
- 10+10 mm, 8+8 mm glass
- Glass depth 80 mm
- The alignment profile can be used as an alternative.
- Maximum height 110 cm (from floor level and without handrail)



R1150-A

R1150-B

Finishing Parts |



1003-A | 1003



C003-B



C003-A



1152

Redefining Space: Side Mounting, Design Freedom

R1150 series offers excellent sightlines with its intelligent design. This series is used as a solution for balconies, terraces, and projects aiming for space optimization.

- Basic Dimensions 62x94 mm (without cover)
- Base shoe length 140 mm, 280 mm
- 10+10 mm, 8+8 mm glass
- Glass depth 80 mm
- Maximum height 110 cm (from floor level and without handrail)

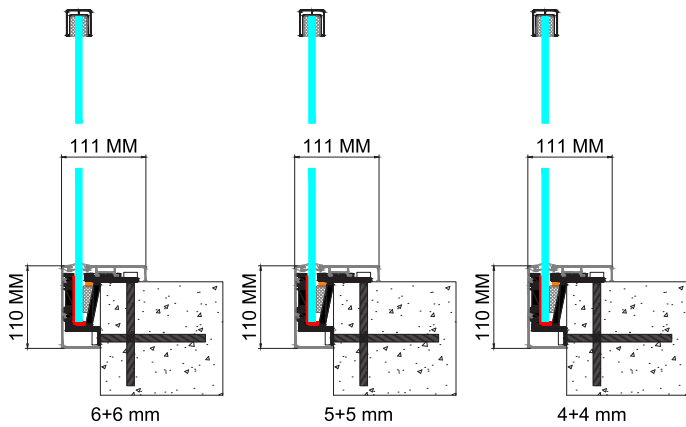


R1200-C

R1200-D

R1200-E

Finishing Parts |



1003



C003-B



C003-C

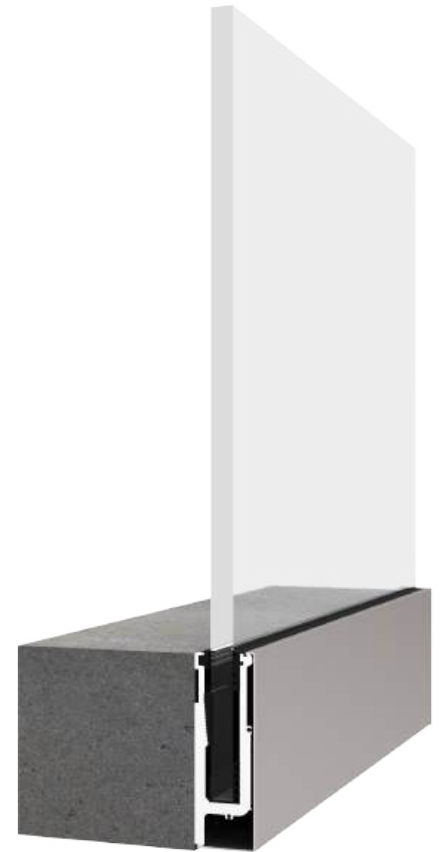


1202

From Side to Side: Where Style Meets Stability

R1200 series offers exceptional sightlines with its intelligent design. This series is used as a solution for balconies, terraces, and projects where space optimization is desired.

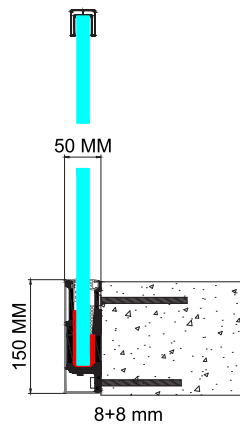
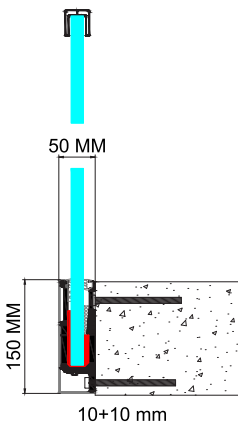
- Basic Dimensions 49x77 mm (without cover)
- Base shoe length 140 mm, 280 mm
- 6+6 mm, 5+5 mm, 4+4 mm glass
- Glass depth 68 mm
- Maximum height 110 cm (from floor level and without handrail)



R1300-A

R1300-B

Finishing Parts |



M16



MS16



C004-A

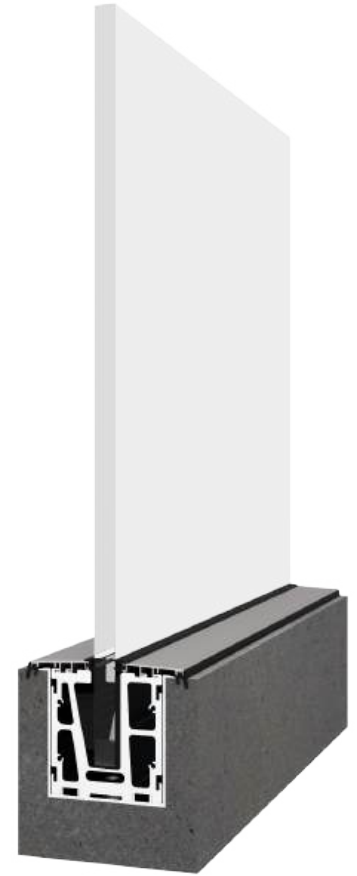


1302

Side Mount Elegance: Secure Your Space With Style

R1300 series provides excellent visibility with its smart design. This series is used as a solution for balconies, terraces, and projects where space optimization is desired.

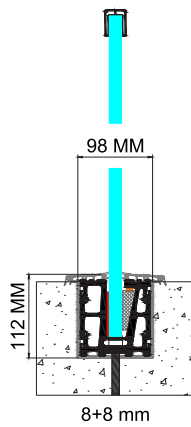
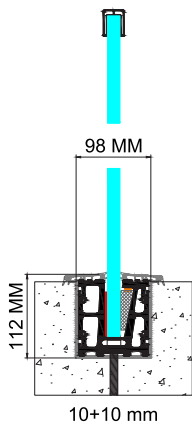
- Basic Dimensions 46x147 mm (without cover)
- Base shoe length 140 mm, 280 mm
- 10+10, 8+8 mm glass
- Glass depth 113 mm
- Maximum height 110 cm (from floor level and without handrail)



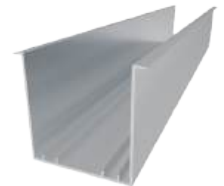
R1002-A

R1002-B

Finishing Parts |



1003-A | 1003



1004-A



C002-A

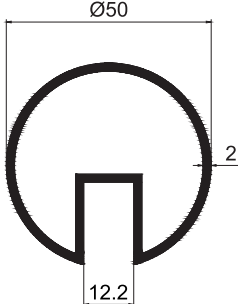



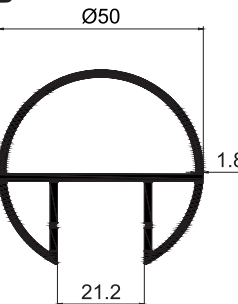



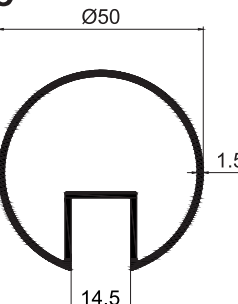

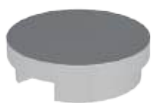

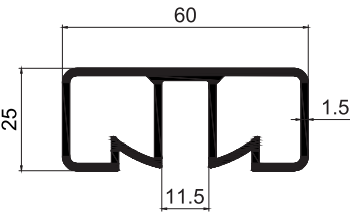
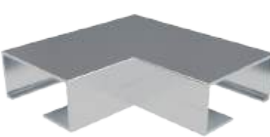
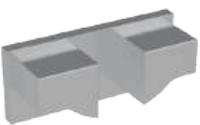
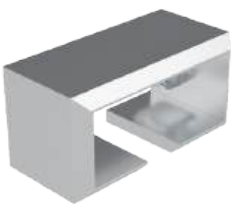
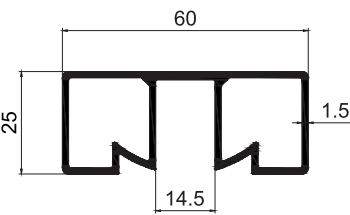
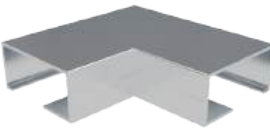




C005-C

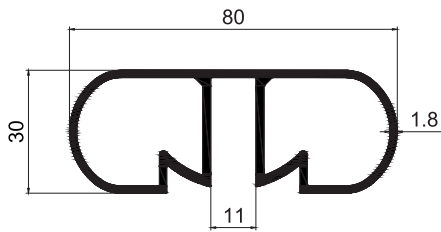
Strength in Simplicity, Beauty in Transparency

R1002 series provides durability along with excellent visibility. This system is typically used in structures where a wider field of view is desired.

- Basic Dimensions 92x100 mm (without cover)
- Base shoe length 140 mm, 280 mm
- 10+10 mm, 8+8 mm glass
- Glass depth 76 mm
- The alignment profile can be used as an alternative.
- Maksimum height 110 cm (from floor level and without handrail)

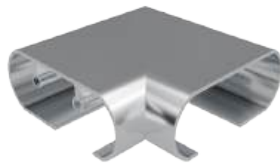
<p>16-A</p>  <p>$\varnothing 50$ 2 12.2</p> <p>kg/m 1,026</p>	<p>Turn Connection</p>  <p>RGL-9437</p>	<p>Plug</p>  <p>RGL-9560</p>	<p>Wall Connection</p>  <p>RGL-9331</p>
<p>RGL16-B</p>  <p>$\varnothing 50$ 1.8 21.2</p> <p>kg/m 1,029</p>	<p>Turn Connection</p>  <p>RGL-9437</p>	<p>Plug</p>  <p>RGL-9560</p>	<p>Wall Connection</p>  <p>RGL-9331</p>
<p>RGL16-C</p>  <p>$\varnothing 50$ 1.5 14.5</p> <p>kg/m 0,760</p>	<p>Turn Connection</p>  <p>RGL-9437</p>	<p>Plug</p>  <p>RGL-9560</p>	<p>Wall Connection</p>  <p>RGL-9331</p>
<p>RGL26-B</p>  <p>60 25 1.5 11.5</p> <p>kg/m 1,042</p>	<p>Turn Connection</p>  <p>RGL-8462</p>	<p>Plug</p>  <p>RGL-8556</p>	<p>Wall Connection</p>  <p>RGL-8309</p>
<p>RGL26-G</p>  <p>60 25 1.5 14.5</p> <p>kg/m 0,860</p>	<p>Turn Connection</p>  <p>RGL-8462</p>	<p>Plug</p>  <p>RGL-8556</p>	<p>Wall Connection</p>  <p>RGL-8306</p>

RGL35-B



kg/m
1,267

Turn Connection



RGL-7420

Plug



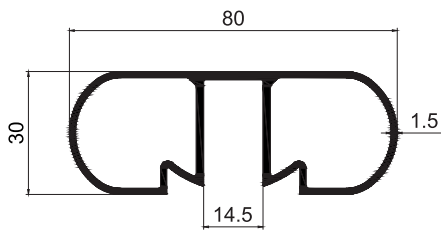
RGL-7555

Wall Connection



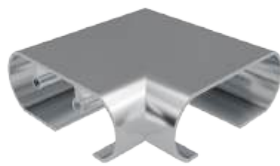
RGL-7306

RGL35-E



kg/m
1,048

Turn Connection



RGL-7420

Plug



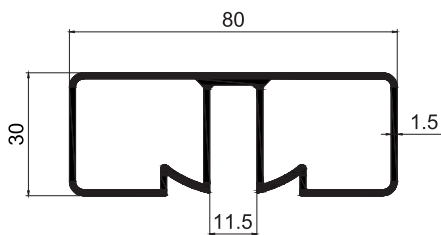
RGL-7555

Wall Connection



RGL-7306

RGL37-B



kg/m
1,148

Turn Connection



RGL-8469

Plug



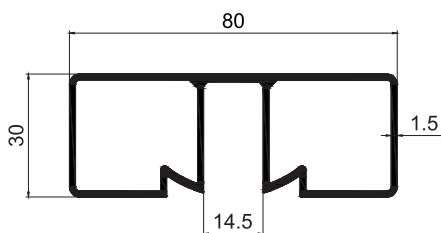
RGL-8561

Wall Connection



RGL-8330

RGL37-D



kg/m
1,110

Turn Connection



RGL-8469

Plug



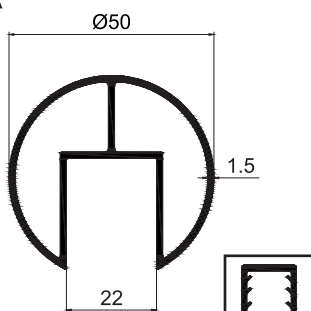
RGL-8561

Wall Connection



RGL-8330

RGL40-A



kg/m
0,902

Turn Connection



RGL-9437

Plug



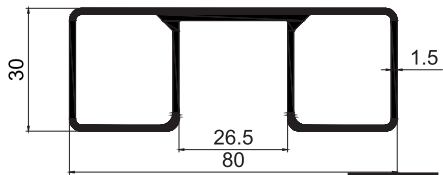
RGL-9562 (Plastic)

Wall Connection



RGL-9331

RGL41-A



kg/m
1,113



Turn Connection



RGL-8469

Plug



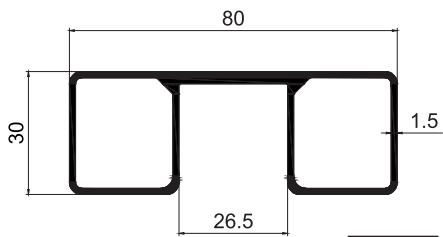
RGL-8566 (Plastic)

Wall Connection



RGL-8330

RGL41-B



kg/m
1,112



Turn Connection



RGL-8469

Plug



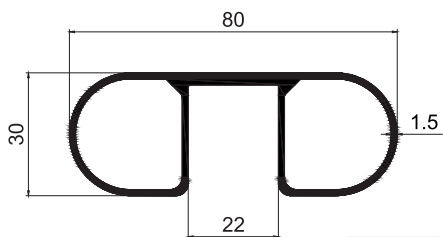
RGL-8566 (Plastic)

Wall Connection



RGL-8330

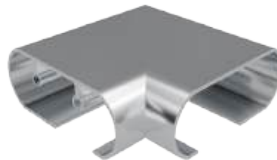
RGL42-A



kg/m
1,029



Turn Connection



RGL-7420

Plug



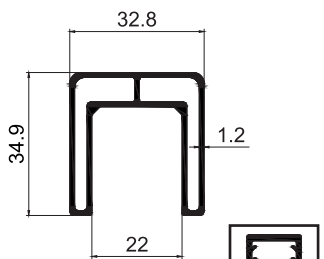
RGL-7559 (Plastic)

Wall Connection



RGL-7306

RGL45-A



kg/m
0,624



Turn Connection



RGL-8474

Plug



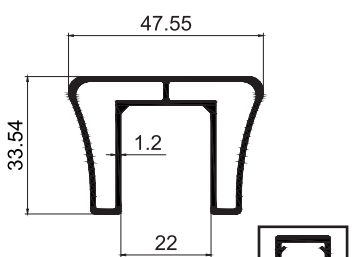
RGL-8564 (Plastic)

Wall Connection



RGL-8332

RGL46-A



kg/m
0,686



Turn Connection

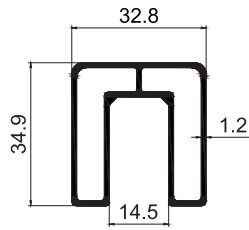


RGL-7558 (Plastic)

Plug

Wall Connection

RGL48-A



kg/m
0,624

Turn Connection

Plug

Wall Connection

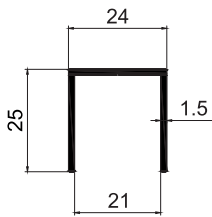


RGL-8564 (Plastic)



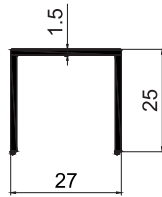
RGL-8332

RGL24-C



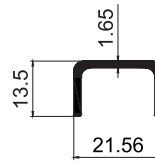
kg/m
0,286

RGL24-F



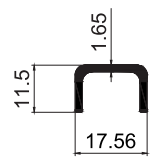
kg/m
0,300

RGL44-A



kg/m
0,208

RGL44-D



kg/m
0,173



ASAY REAL GLOBAL LTD.

www.asayglobal.com | info@asayglobal.com