



Fence Systems



Number of panels	One Plastic	Two Plastics	Three Plastics
1	15.7 cm	17.7 cm	19.7 cm
2	29.4 cm	31.4 cm	33.4 cm
3	43.1 cm	49.1 cm	53.1 cm
4	56.8 cm	66.8 cm	72.8 cm
5	70.5 cm	84.5 cm	92.5 cm
6	84.2 cm	102.2 cm	112.2 cm
7	97.9 cm	119.9 cm	131.9 cm
8	111.6 cm	137.6 cm	151.6 cm
9	125.3 cm	155.3 cm	171.3 cm
10	139 cm	173 cm	191 cm
11	152.7 cm	190.7 cm	
12	166.4 cm		
13	180.1 cm		

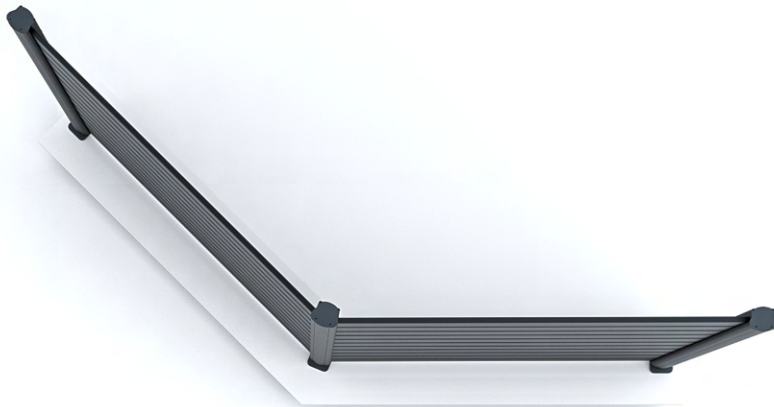
- For each finished height, post height should be calculated as +3 cm.



- Adjustable between 60° and 180°.
- The same profiles are used at all angles.
- Post length, plastic quantity, and panel length do not affect angle use.



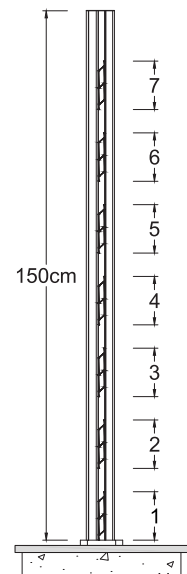
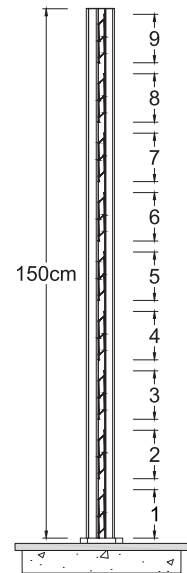
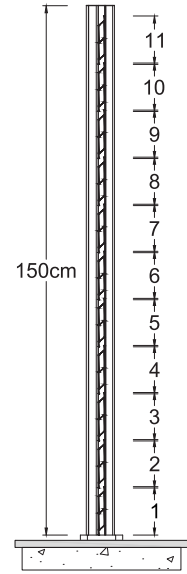
180° Angled



135° Angled



90° Angled



- Different plastics are used on the right and left sides between the panels.
- There are 1, 2 and 3 plastic options for increasing the spacing.
- The increasing number of plastics changes the dimensions.



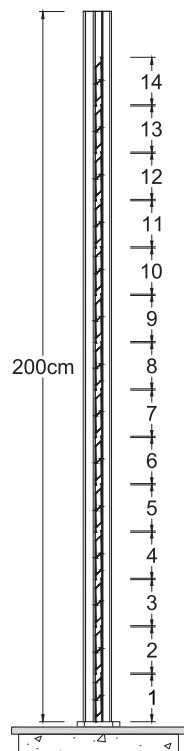
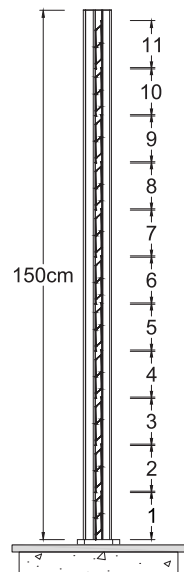
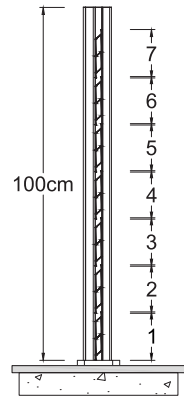
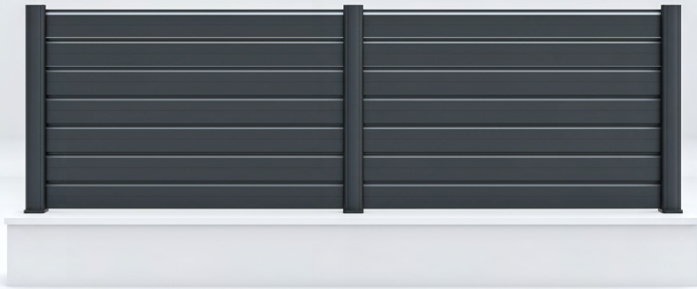
One Plastic



Two Plastics

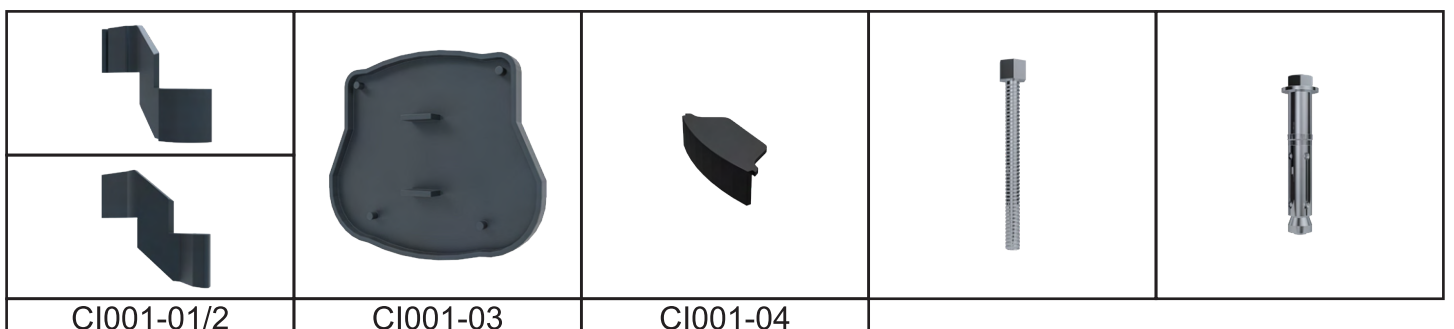
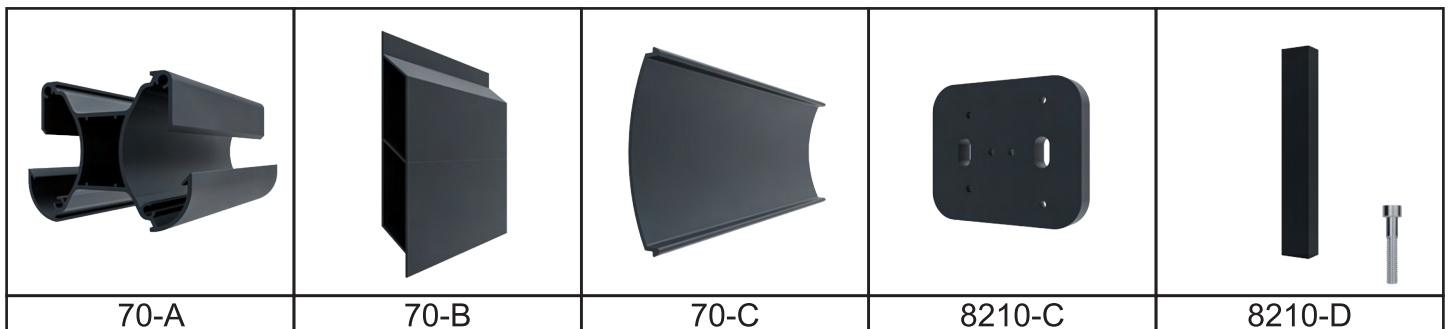


Three Plastics

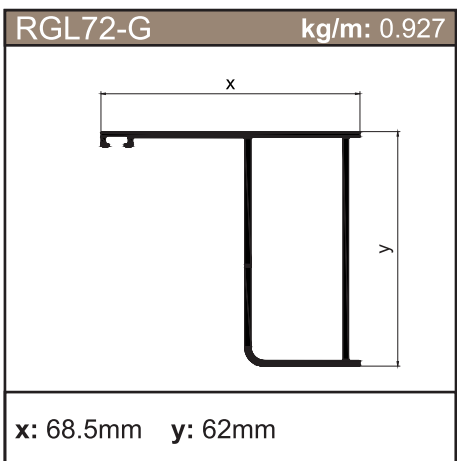
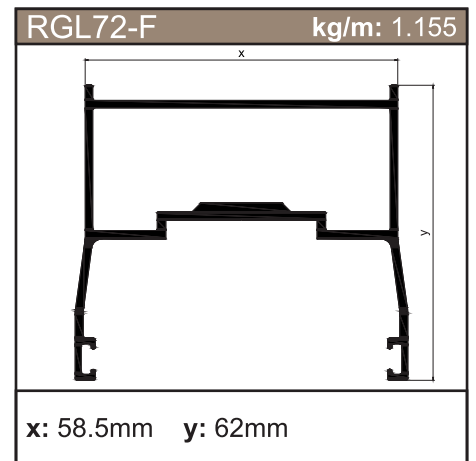
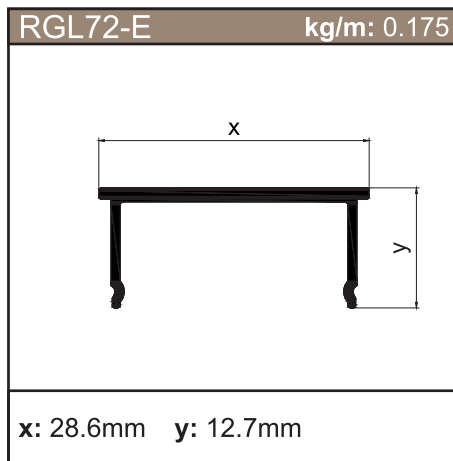
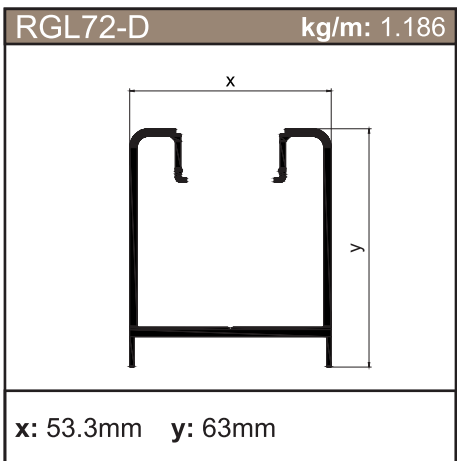
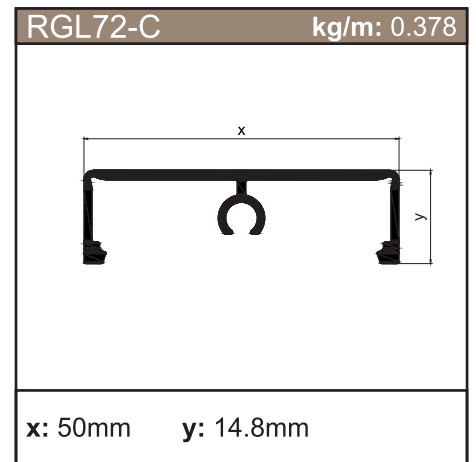
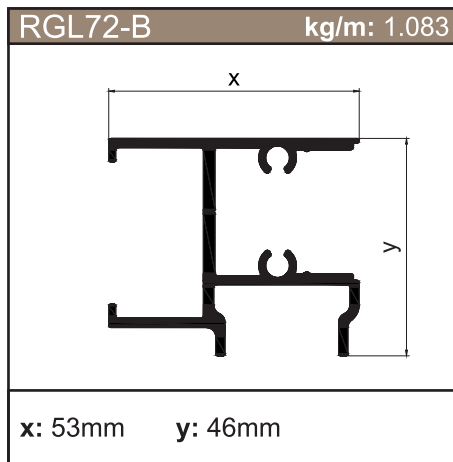
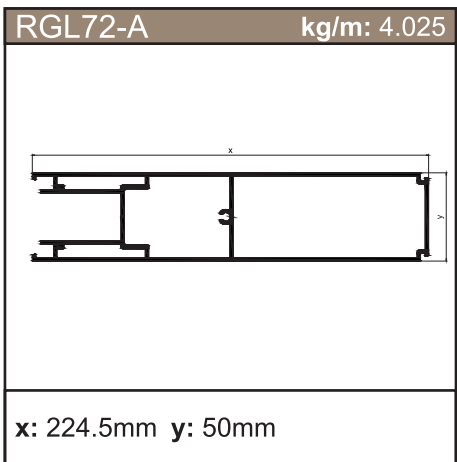
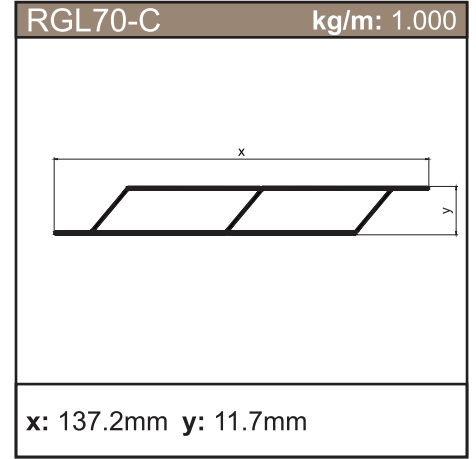
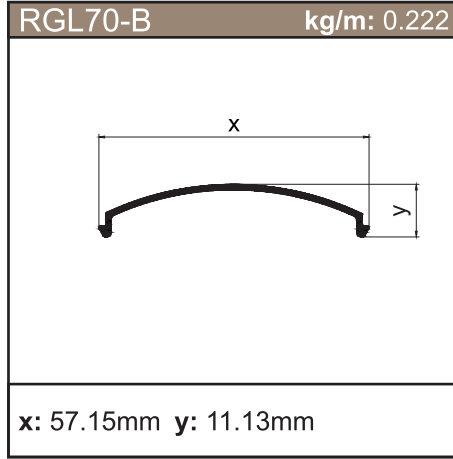
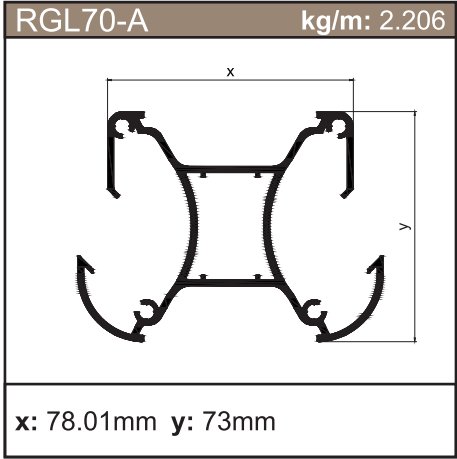




- Max height: 200 cm
- Max panel length: 200 cm
- No anchoring needed up to 120 cm
- 20 cm anchoring for 120-160 cm
- 40 cm anchoring for 160-200 cm









ASAY REAL GLOBAL LTD.

www.asayglobal.com | info@asayglobal.com